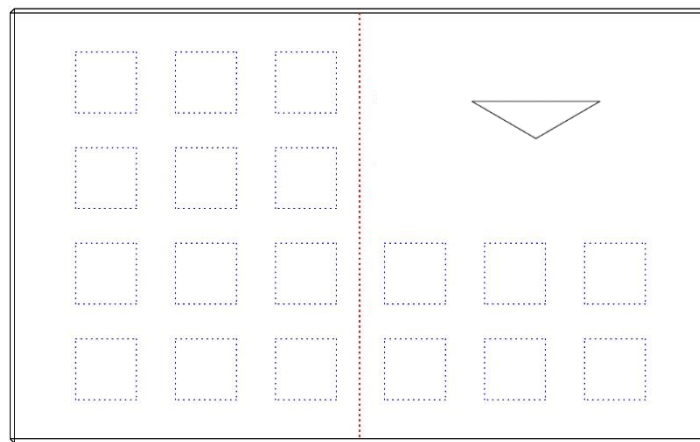
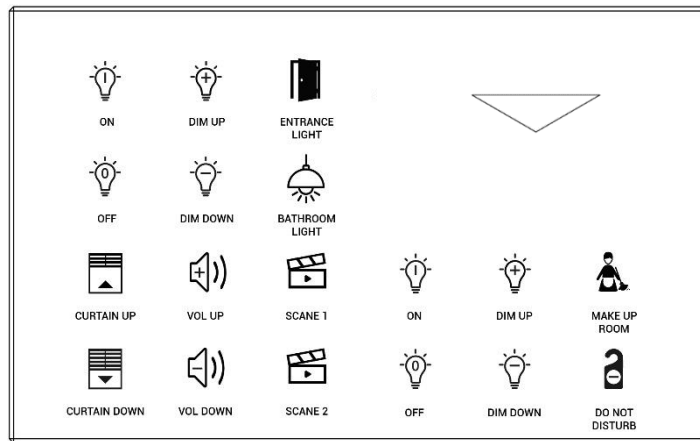


General Features



KNX Switch Side
 (up to 12 buttons)

- Independent configuration for each button
 - Switching
 - Dimming
 - Blind Control
 - Value Transmitting
 - Scene Control

KNX Cardholder Side
 (up to 6 buttons)

- Compatible with Mifare 13.56 MHz card
- Contactless reading for RFID Card information. Avoids mechanical wear and card deformation.
- Detection distance up to 50 mm
- Device power supplied via KNX bus
- KNX Switch functions included

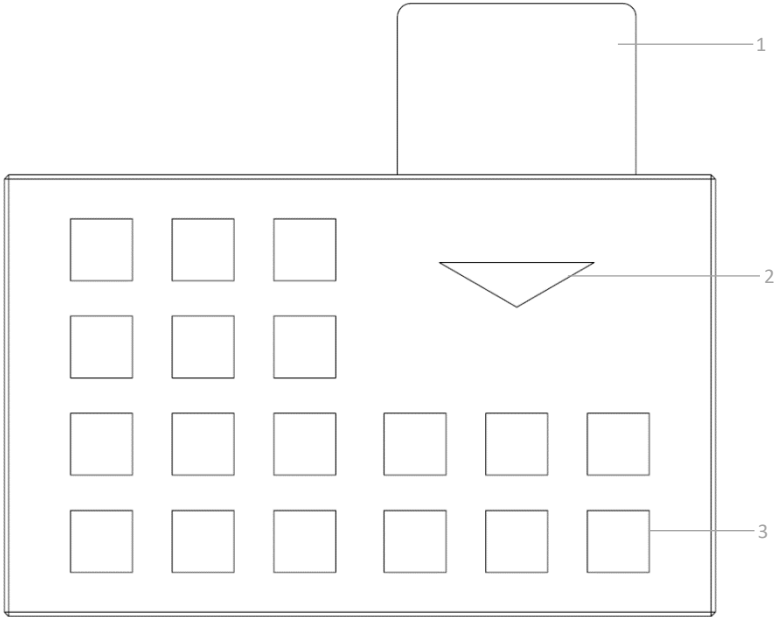
Common Functions

- Multiple devices in monoblock glass design
- Customizable icons
- Customizable button counts
- Customizable device position order
- Different color options
- Device power supplied via KNX bus
- Easy mount into 60x60 mm standard switch junction boxes

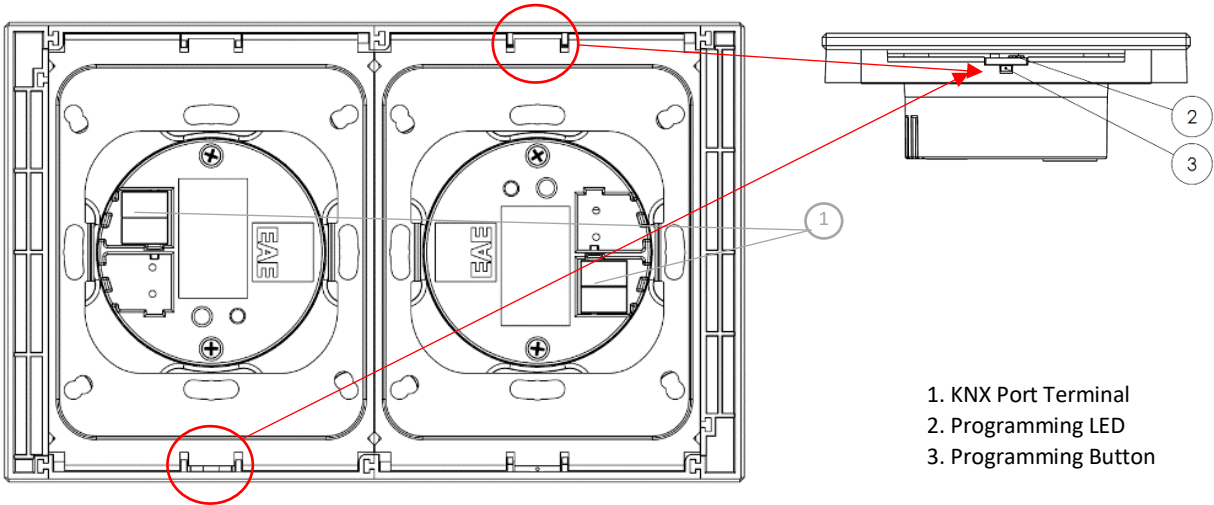
Technical Data

Type of protection	IP20	EN 60 529
Safety Class	II	EN 61 140
Connections	- KNX	Bus Connection
Power Supply	- Voltage - Current drawn from bus	21V... 30V DC, via the KNX bus <10mA
Installation	- Flush Mounted	
Operating Elements	- LED (red) - LED (white) - Hotel Card - LED Indicator (cardholder)	P. Address Programming LED Button Status LEDs Mifare 13.56MHz card
Operating Temperature	- Ambient - Storage	-5° C + 45° C -25° C + 55° C
Humidity	- Max. Air humidity condensation	95% no moisture
Dimensions	Front side Side – Surface mounted part Side – Flush mounted part	100 x 161 mm 12 mm 18.8 mm
Weight	0.10 kg	
Box Material	Glass – Surface Polycarbonate – Flush mounted part	
Color	Front Side – Glass – Black or White Flush mounted part – Polycarbonate - Black	
CE	In accordance with the EMC guideline and low voltage	

Functional Elements and Connections



- 1. Hotel card
- 2. Hotel card slot
- 3. Programmable buttons



- 1. KNX Port Terminal
- 2. Programming LED
- 3. Programming Button

Technical Drawings

